

Principle of Operation

Suitable for both low force dynamic and static testing along with dental standards ISO 9917, ISO 6872, ISO 4049 or ISO 20795 the low-force 3-Point bend fixture is designed to be compatible with ElectroPuls E1000. The specimen is supported on two lower anvils and the load is applied in the center of the specimen by a single upper anvil. The t-slot base allows adjustment of the lower span from 15 - 80mm (0.59 - 3.15in) allowing for variable specimen lengths and is submersible to be compatible with an optional fluid bath and recirculator.

Features

- Corrosion-resistant stainless steel construction
- 3 kN (675 lbf) capacity
- Support span 15 – 80 mm (0.59 – 3.15 in)

Application Range

- Bend testing of small components, plastics, wood, and composites
- Specimen shapes: Flat and round
- Suitable for both static & fatigue testing
- Compatible with ElectroPuls E1000

Specifications

		2810-600
Maximum Force Capacity	kN	3
	Lbf	675
Upper Fitting		M6 Male Thread (Requires 8000 - 127 Attachment Kit)
Lower Fitting		4x M6
Support Span	mm	15 - 80
	in	0.59 - 3.15
Specimen Width	mm	20
	in	0.78
Anvil Diameter	mm	2
	in	0.07



Optional Accessories

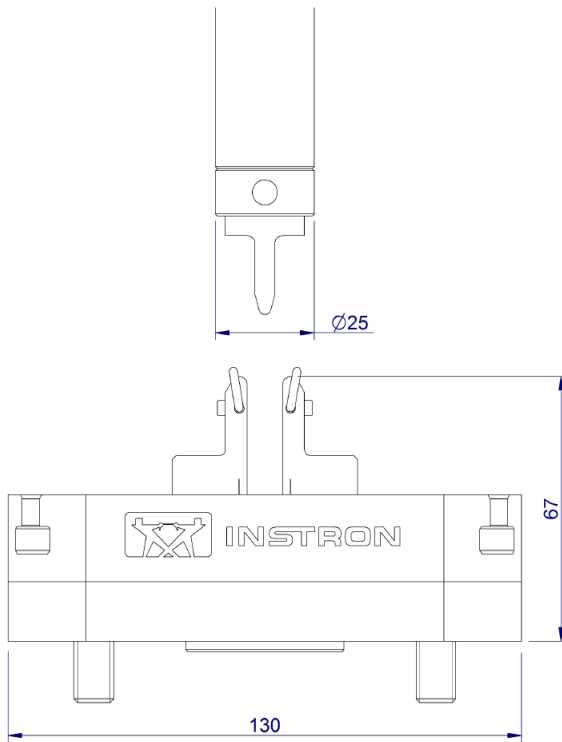
4-Point Bend Fixture Conversion Kit (2810-605): used to convert 2810-600 from a 3-point to a 4-point bend fixture. The 4-point bend conversion kit has a variable upper span of 5 - 40mm (0.19-1.57in). The test specimen is supported on two lower anvils whilst the load is evenly applied by two upper anvils.

Optional Items for use with 2810-600

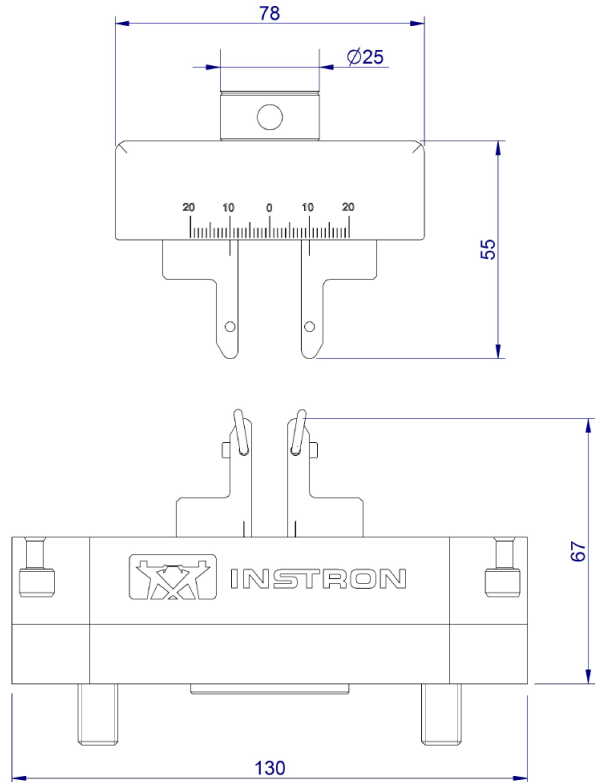
Catalog Number	Description
2810-605	4-Point Bend Conversion Kit



4-Point Bend Conversion kit 2810-605



3-Point Bend Fixture (2810-600)



4-Point Bend Fixture (2810-605)

www.instron.com



Worldwide Headquarters
825 University Ave, Norwood, MA 02062-2643, USA
Tel: +1 800 564 8378 or +1 781 575 5000

European Headquarters
Coronation Road, High Wycombe, Bucks HP12 3SY, UK
Tel: +44 1494 464646

Instron Industrial Products
900 Liberty Street, Grove City, PA 16127, USA
Tel: +1 724 458 9610